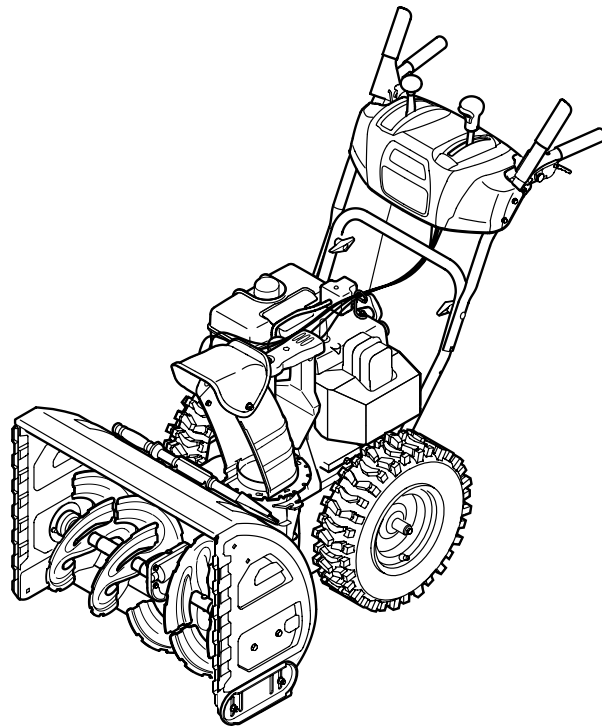

Cub Cadet.

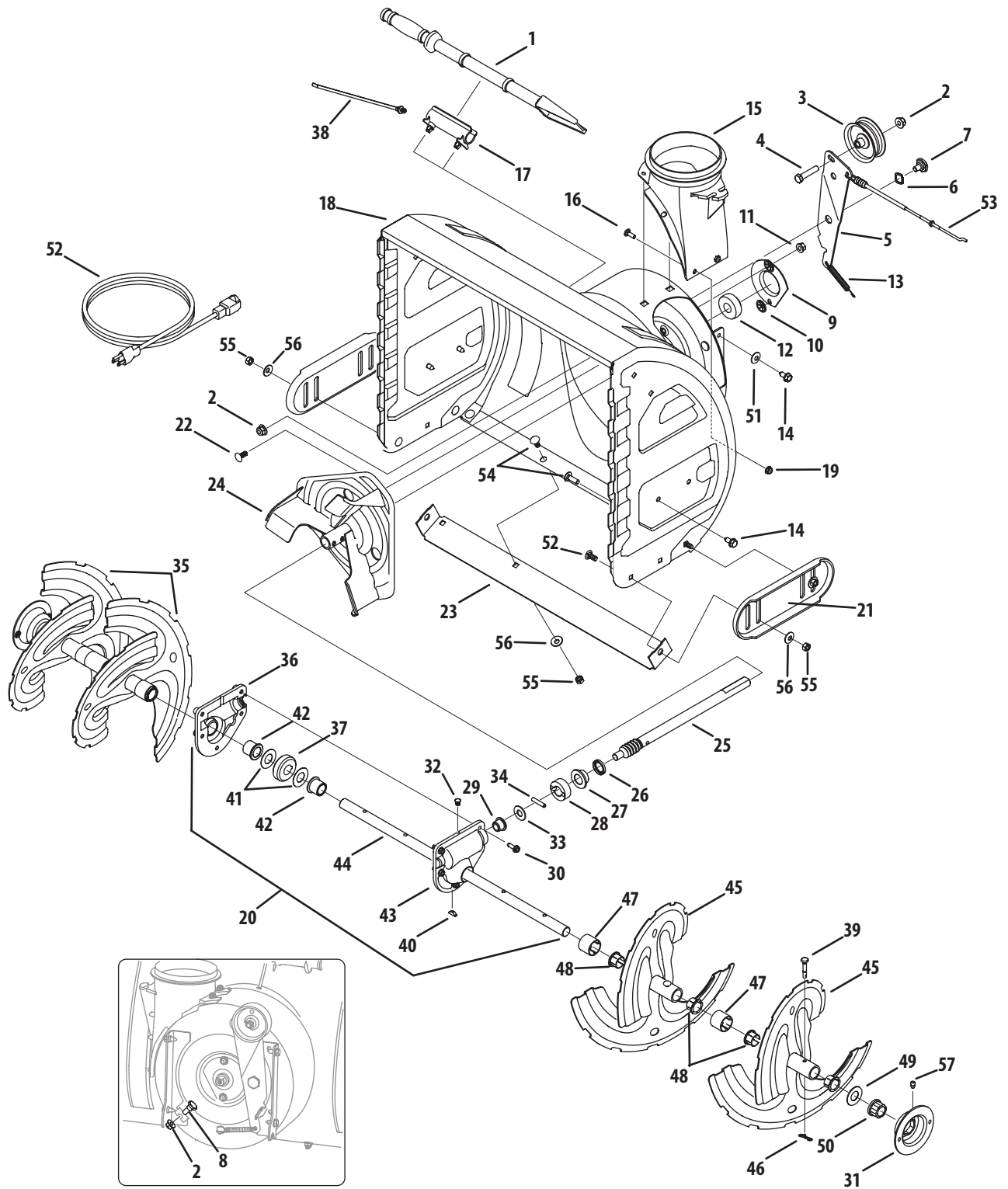
ILLUSTRATED PARTS MANUAL



500 Series Snow Thrower —524 SWE & 528 SWE

CUB CADET LLC, P.O. BOX 361131 CLEVELAND, OHIO 44136-0019

Auger & Auger Housing

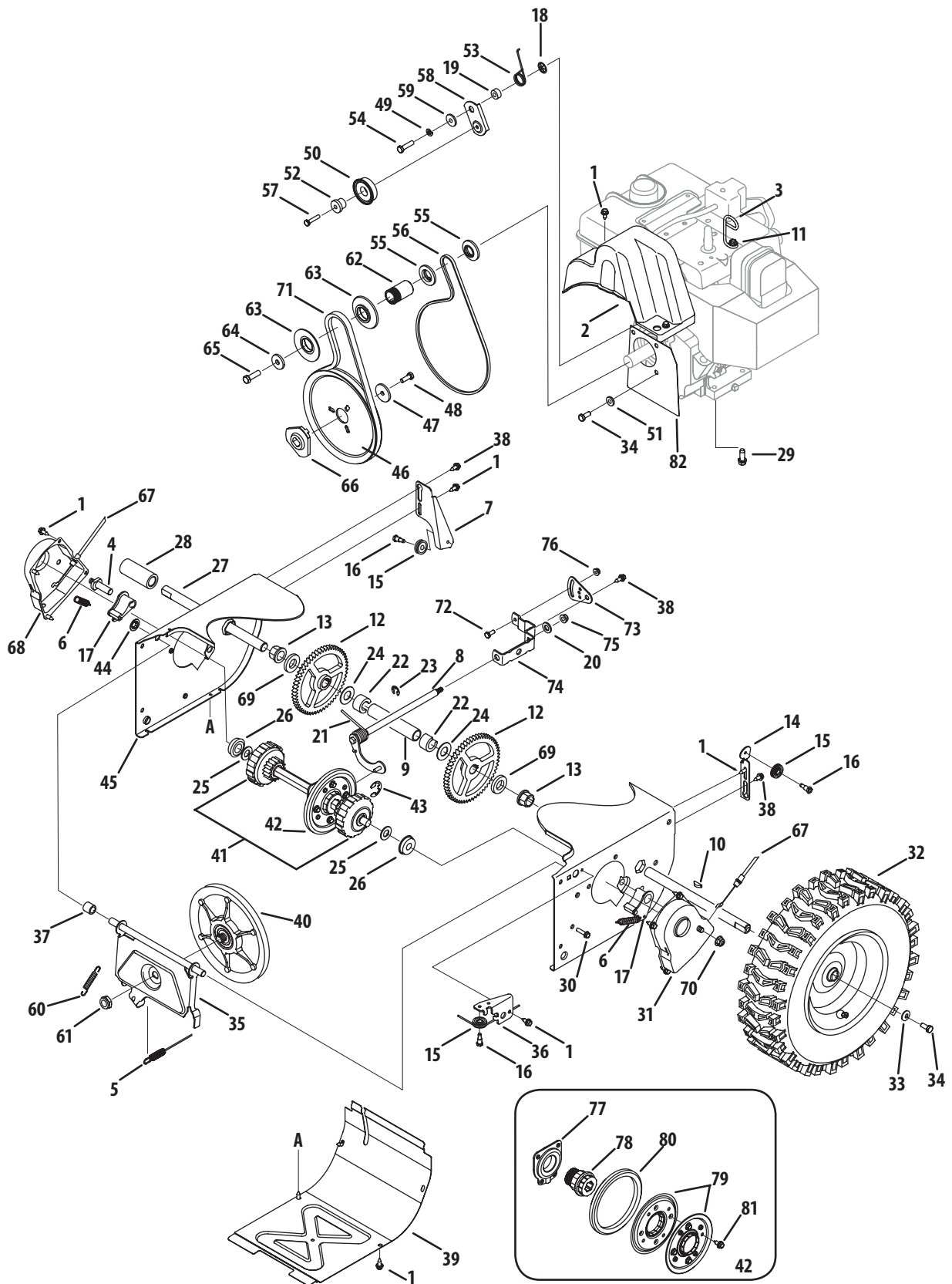


Auger & Auger Housing

Ref.	Part Number	Description
1.	731-2643	Clean-Out Tool
2.	712-04065	Flange Lock Nut
3.	756-0981B	Flat Idler Pulley
4.	710-0347	Hex Bolt, 3/8-16 x 1.75
5.	790-00080A	Auger Idler Bracket
6.	736-0174	Wave Washer
7.	738-0281	Shoulder Screw
8.	738-0143	Shoulder Screw
9.	790-00075	Bearing Housing
10.	726-04012	Push Nut
11.	712-04063	Flange Lock Nut, 5/16-18
12.	741-0309	Ball Bearing
13.	732-04460	Extension Spring
14.	710-04484	Hex Screw
15.	731-04705	Chute Adapter
16.	710-0703	Carriage Screw, 1/4-20 x 0.75
17.	731-2635	Clean-out Tool Mtg. Bracket
18.	684-04305	Housing Assembly, Auger, 22"
—	684-04259	Housing Assembly, Auger, 24"
—	684-04256	Housing Assembly, Auger, 26"
—	684-04257	Housing Assembly, Auger, 28"
—	684-04255	Housing Assembly, Auger, 30"
19.	712-04064	Flange Lock Nut, 1/4-20
20.	618-04190A	Gearbox Assembly, Auger, 22"
—	618-04191A	Gearbox Assembly, Auger, 24"
—	618-04192A	Gearbox Assembly, Auger, 26"
—	618-04193A	Gearbox Assembly, Auger, 28"
—	618-04194A	Gearbox Assembly, Auger, 30"
21.	790-5580	Skid Shoe, Standard
—	790-00091	Skid Shoe, Deluxe
—	790-05984	Skid Shoe, Plastic
—	790-00141	Skid Shoe, Stainless
22.	710-0451	Carriage Bolt
23.	790-00117	Shave Plate, 22"
—	790-00120	Shave Plate, 24"
—	790-00121	Shave Plate, 26"
—	790-00118	Shave Plate, 28"
—	790-00119	Shave Plate, 30"
—	790-00148	Stainless Steel Shave Plate, 26"
—	790-00145	Stainless Steel, Shave Plate, 28
—	790-00146	Stainless Steel Shave Plate, 30"

Ref.	Part Number	Description
24.	684-04057A	Impeller Assembly
25.	717-04126	Worm Shaft
26.	721-0327	Oil Seal
27.	741-0662	Flange Bearing
28.	718-04071	Thrust Collar
29.	741-0663	Flange Bearing
30.	710-0642	TT Screw, 1/4-20 x 0.75
31.	790-00138A	Bearing Housing
32.	721-0325	Plug
33.	736-3084	Flat Washer
34.	715-04021	Dowel Pin
35.	684-04108	Spiral Assembly- RH
36.	618-0123	Reducer Hsg.-RH (Incl Ref. 44-45)
37.	717-0528A	Worm Gear, 20T
38.	725-0157	Cable Tie
39.	738-04124A	Shear Pin
40.	714-0161	Hi-Pro Key
41.	736-0351	Flat Washer
42.	741-0661A	Flange Bearing
43.	618-0418	Reducer Hsg.- LH
44.	711-04286	Axle, Auger, 22"
—	711-04285	Axle, Auger, 24"
—	711-04284	Axle, Auger, 26"
—	711-04283	Axle, Auger, 28"
—	711-04282	Axle, Auger, 30"
45.	684-04107	Spiral Assembly- LH
46.	714-04040	Bow Tie Cotter Pin
47.	731-04870	Spacer
48.	741-0493A	Flange Bushing
49.	736-0188	Flat Washer
50.	741-0245	Hex Flange Bearing
51.	736-0242	Bell Washer
52.	629-0071	Extension Cord. 3-Prong
53.	746-04230	Auger Clutch Cable
54.	710-04525	Carriage Bolt, 5/16-18 x .750
55.	712-04103	Hex Nut, 5/16-18
56.	736-04216	Bell Washer, .340 x .872 x .060
57.	737-3000	Drive Lube Fitting

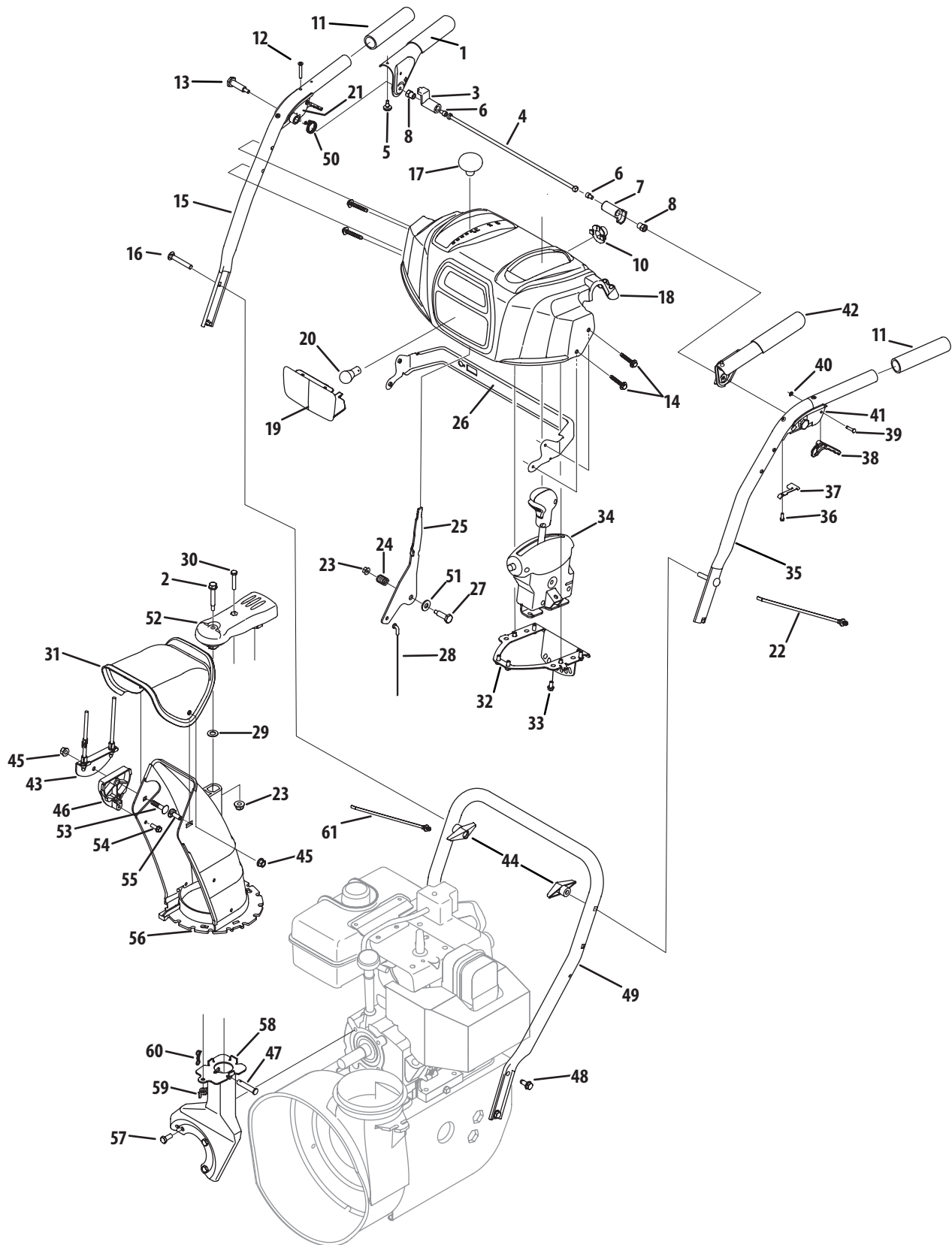
Drive System



Ref.	Part Number	Description
1.	710-1652	AB Screw, 1/4-20 x 0.625
2.	731-05353	Belt Cover
3.	732-0705	Cable Guide
4.	711-1268B	Actuator Shaft
5.	746-04229	Drive Clutch Cable
6.	732-04345	Extension Spring
7.	790-00207A	Drive Clutch Cable Guide Bracket
8.	684-04156A	Shift Rod Assembly
9.	750-04474	Axle Support Tube
10.	714-0126	Hi-pro Key
11.	710-04022	Screw
12.	717-04210	Gear, 56T
13.	741-0245	Hex Flange Bearing
14.	790-00206A	Auger Clutch Cable Guide Bracket
15.	756-0625	Cable Roller
16.	738-0924A	C Screw, 1/4-28 x 0.375
17.	618-04288	Dogg Assembly - LH
—	618-04287	Dogg Assembly - RH
18.	726-04012	Speed nut
19.	750-04477	Spacer
20.	736-00156	Shift Bracket Spacer
21.	732-04311	Torsion Spring, .750ID x .968 Lg.
22.	731-05297	Spacer
23.	716-0104	E Ring
24.	736-0188	Flat Washer, .76 x 1.49 x .06
25.	736-0626	Flat Washer
26.	741-04076	Ball Bearing
27.	738-04180	Axle
28.	731-04873	Spacer
29.	710-0654A	TT Sems Screw, 3/8-16 x 1.0
30.	710-0788	TT Screw, 1/4-20 x 1.0
31.	790-00185	Shaft Retainer - LH
32.	634-04136	Wheel Complete - LH (16x6.5x8)
—	634-04137	Wheel Complete - RH (16x6.5x8)
—	634-04147A	Wheel Complete - LH (15x5x6)
—	634-04148A	Wheel Complete - RH (15x5x6)
33.	736-0242	Bell Washer
34.	710-0627	Hex Bolt, 5/16-24 x 0.75
35.	684-04154	Friction Wheel Support Brkt. Assy.
36.	790-00096	Auger Cable Guide Bracket
37.	748-0190	Spacer
38.	738-04184A	Shoulder Screw
39.	790-00316	Frame Cover

Ref.	Part Number	Description
40.	656-04025A	Friction Wheel Disc Assembly
41.	618-04322A	Drive Shaft Assembly
42.	684-04159	Friction Wheel Assembly
43.	716-0136	Retainer Ring
44.	726-0221	Speed Nut
45.	790-00183B	Wheel Drive Frame
46.	756-04109	Auger Pulley
47.	736-0505	Flat Washer
48.	710-1245B	Hex Bolt, 5/16-24 x 0.875
49.	736-0119	Lock Washer
50.	684-04169	Pulley Assembly
51.	748-0234	Shoulder Spacer
52.	750-04571	Spacer
53.	732-04308A	Torsion Spring
54.	710-0672	Hex Screw, 5/16-24 x 1.25
55.	756-04252	Pulley Half
56.	754-0367	V-Belt, 3/8 x 34
57.	710-0809	TT Screw, 1/4-20 x 1.25
58.	790-00208B	Drive Clutch Idler Bracket
59.	748-04112A	Shoulder Spacer
60.	732-0264	Extension Spring
61.	712-0413	Jam Lock Nut, 5/8-18
62.	750-04303	Spacer
63.	756-04113	Pulley Half
64.	736-0247	Flat Washer
65.	710-0191	Hex Bolt, 3/8-24 x 1.25
66.	748-04053A	Pulley Adapter
67.	746-0956A	Steering Cable
68.	790-00186	Shaft Retainer - RH
69.	750-0767	Axle Spacer
70.	712-04065	Flange Lock Nut, 3/8-16
71.	754-04050	V-Belt, .500 x 35.00 Lg
72.	710-0751	Hex Screw, 1/4-20 x .620
73.	790-00217A	Speed Selector Pivot Bracket
74.	790-00218A	Speed Selector Shift Bracket
75.	712-04063	Flange Lock Nut, 5/16-18
76.	712-04064	Flange Lock Nut, 1/4-20
77.	618-0063A	Friction Wheel Bearing Assembly
78.	718-04144	Friction Wheel Hub
79.	790-00174	Friction Wheel Plate
80.	735-04054	Friction Wheel Rubber
81.	710-0896	AB Screw
82.	790-00298A	Cover Plate

T-Style Handle, Frame & Discharge Chute

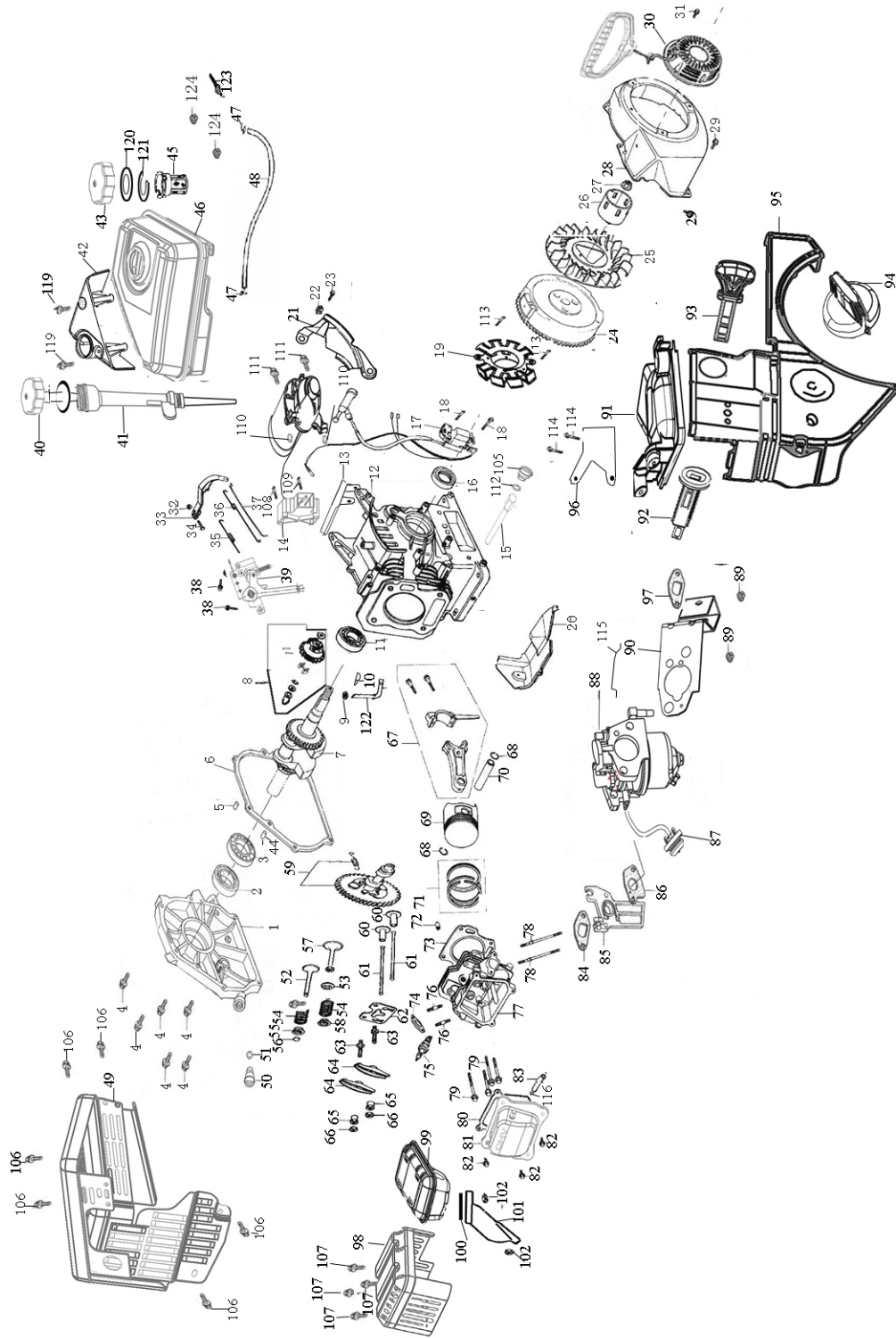


T-Style Handle, Frame & Discharge Chute

Ref.	Part Number	Description
1.	684-04106B	Handle Engagement Assembly RH
2.	738-04194	Flange Shoulder Screw
3.	731-04894C	Lock Plate
4.	711-04250	Pivot Rod
5.	735-0199A	Rubber Bumper
6.	710-04354	Screw, 1/4-20 x.375
7.	731-04896B	Clutch Lock Cam
8.	712-04081A	Shoulder Nut, 1/4-20
9.	725-04314	Wire Harness (Not Shown)
10.	725-1649	Light Socket
11.	720-0274	Handle Grip
12.	710-1233	Screw, #10-24 x 0.375
13.	738-04122	Shoulder Screw, 1/4-20 x 1.345
14.	710-04586	Screw, 1/4-20 x 1.625
15.	749-04190A	Upper Handle RH
16.	710-0449	Carriage Screw, 5/16-18 x 2.25
17.	720-04039	Shift Knob
18.	631-04187	Handle Panel (Includes Ref. #19)
19.	731-05324	Lens
20.	725-1649	Lamp
21.	631-04134B	Handle Clutch Lock RH Assy
22.	725-0157	Cable Tie
23.	712-04064	Flange Lock Nut, 1/4-20
24.	732-0193	Compression Spring
25.	790-00203	Shift Lever
26.	790-00248	Panel Bracket
27.	738-04125	Shoulder Screw
28.	746-04396	Speed Selector Cable
29.	736-0463	Flat Washer, .25 x .630 x .0515
30.	710-0606	Hex Screw, 1/4-20 x 1.50

Ref.	Part Number	Description
31.	731-04427A	Upper Chute
32.	790-00155	Joystick Bracket
33.	710-04187	Hi-Lo Screw, 1/4-15 x 0.5
34.	684-04116B	4-Way Chute Control™ Assembly
35.	749-04191A	Upper Handle LH
36.	710-04326	Screw, #8-16 x 0.50
37.	732-04219A	Clutch Lock Spring
38.	731-04954	Steering Control
39.	738-04126	Pin, 3/16
40.	716-04036	E Ring
41.	631-04133	Handle Clutch Lock LH Assy
42.	684-04105B	Handle Engagement Assembly LH
43.	784-5594	Cable Bracket
44.	720-0284	Wing Knob
45.	712-04063	Flange Lock Nut, 5/16-18
46.	731-1313C	Chute Tilt Cable Guide
47.	711-04469A	Clevis Pin
48.	710-04484	Hex Screw
49.	749-04138	Lower Handle
50.	732-04238	Torsion Spring
51.	736-0267	Flat Washer
52.	731-04890A	Joystick Pulley Cover
53.	710-0262	Carriage Bolt, 5/16-18 x 1.50
54.	710-0895	Hi-Lo Screw, 1/4-15 x .75
55.	710-04071	Carriage Bolt, 5/16-18 x 1.0
56.	731-04861B	Lower Chute
57.	710-0627	Hex Screw, 5/16-24 x .750
58.	684-04162B	Chute Support Bracket
59.	712-3087	Wing Nut, 1/4-20
60.	714-04040	Bow Tie Cotter Pin
61.	726-0470	Cable Tie

Cub Cadet Engine (370-SU)



Cub Cadet Engine (370-SU)

Part No.	Part Description	Ref No.	Qty.	Part No.	Part Description	Ref No.	Qty.	
751-10645	Electric Starter	14	1	751-10660	Gasket Kit Complete			
751-10646	Ignition Coil	17	1		Oil Seal	2	2	
751-10663	Fan Cover Complete	28	1		Crankcase Cover Gasket	6	1	
751-10658	Recoil Starter Assembly	30	1		O-Ring	9	1	
751-10654	Governor Spring	35	1		Cylinder Head Gasket	73	1	
751-10664	Throttle Return Spring	36	1		Muffler Gasket	74	1	
751-10665	Governor Rod	37	1		Head Cover Gasket	80	1	
751-10655	Dipstick	40	1		Carb Insulator Gasket	84	1	
751-10656	Dipstick Tube	41	1		Carburetor Insulator	85	1	
751-10662	Cover - Engine/Dipstick	42	1		Carburetor Gasket	86	1	
751-10652	Fuel Filter	45	1		Air Filter Gasket	97	1	
751-10653	Fuel Tank	46	1		Paper Gasket	100	1	
751-10642	Muffler Shroud	49	1		Oil Drain Washer	112	1	
751-10666	Muffler Gasket	74	1		751-10661	Gasket Kit External		
751-10292	Spark Plug	75	1			Oil Drain Washer	112	1
751-10639	Primer	87	1			Muffler Gasket	74	1
751-10638	Carburetor Assembly	88	1			Carb Insulator Gasket	84	1
751-10635	Air Filter Heating Pipe Cover	91	1			Carburetor Insulator	85	1
751-10637	Ignition Switch	92	1		Carburetor Gasket	86	1	
751-10630	Ignition Key	93	1	Head Cover Gasket	80	1		
751-10636	Choke Lever	94	1	751-10668	Cylinder Head Assembly			
751-10634	Engine Shroud	95	1		Rocker Arm	64	2	
751-10643	Muffler Shield	98	1		Intake Valve	57	1	
751-10640	Choke Push Rod	115	1		Exhaust Valve	52	1	
751-10651	Fuel Tank Nipple	123	1		Valve Spring	54	2	
751-10307	Flywheel Key	N/A	1		Valve Spring Retainers - Exhaust	55	1	
731-05696	Starter Handle	N/A	1		Pivot Adjusting Nut	65	2	
952Z370-SU	Engine Complete	N/A	1		Rocker Arm Lock Nut	66	2	
					Rocker Arm Studs	63	2	
					Push Rod Guide	62	1	
					Valve Cover Gasket	80	1	
					Carburetor Insulator Plate Gasket	84	1	
					Carburetor Insulator Plate	85	1	
					Muffler Gasket	74	1	
Cylinder Head Gasket 170	73	1						
Cylinder Head	77	1						
Exhaust Valve Adjuster	56	1						
Valve Spring Retainer- Intake	58	1						

Cub Cadet Engine (370-SU)

Part No.	Part Description	Ref No.	Qty.
751-10659	Short Block		
	Crankcase Complete 170	12	1
	Oil Pipe Reserve		
	Crankcase Cover	1	1
	Piston 170	69	1
	Piston Ring Set - Complete 170	71	1
	Piston Pin 170	70	1
	Piston Pin Clip	68	1
	Connecting Rod Assembly Complete	67	1
	Valve Lifter (Tappet)	60	1
	Camshaft Assembly	59	1
	Carb Insulator plate gasket	84	1
	Crankshaft Assembly	7	
	Carburetor Insulator Plate	85	
	Muffler Gasket 170	74	1
	Governor Arm Shaft	122	1
	Pin Lock	10	1
	Governor Assembly	8	1
	Case Cover Gasket	6	1
	Cylinder Head Gasket 170	73	1
	Valve Cover Gasket	80	1
	Oil Drain Bolt	105	1
	Oil Drain Plug Washer	112	1
	Dowel Pin	5	1
	Dowel Pin	44	1
	Dowel Pin	72	2
	Bearing	11	2
	Bolt	4	6
	Oil Seal	2	2
	O-Ring - Governor Arm	9	1
	Oil Filler Plug	50	1
	O-Ring - Oil Filler Plug	51	1
	Oil Drain Pipe	15	1

Part No.	Part Description	Ref No.	Qty.
751-10641	Oil Drain Assembly		
	Oil Drain Pipe	15	1
	Drain Bolt	105	1
751-10647	Valve Kit		
	Exhaust Valve	52	1
	Intake Valve	57	1
751-10648	Push Rod Kit		
	Push Rod	61	2
751-10649	Fuel Cap Assembly		
	Fuel Cap Complete	43	1
	Packing (Gasket)	120	1
	Clip (Gasket Retainer)	121	1
751-10650	Fuel Line Kit		
	Fuel Line Clamp	47	2
	Fuel Line	48	1
751-10657	Muffler Stud Assembly		
	Muffler Stud	78	2
751-10669	Oil Fill Plug Assembly		
	Oil Fill Plug	50	1
	O-Ring	51	1
751-10644	Muffler Assembly Complete		
	Muffler Assembly		1
	Exhaust Pipe		1



CUB CADET LLC, P.O. BOX 361131 CLEVELAND, OHIO 44136-0019
